

The background of the cover features a collage of vintage medical instrument illustrations in a classic engraved style. These include various surgical tools, lenses, and specialized devices, some labeled with letters like 'A', 'B', 'C', and 'D'. The illustrations are set against a white background that is partially framed by a large, flowing red shape on the left and bottom.

PROSIDIO

# Medical Device Catalog

## 2024/2025

*All-In-One Camera Systems  
Hi-Fi Endoscopes • Microscopes*

Prosidio.com



# Table of Contents

<b>All-In-One Camera Systems</b> .....	<b>5</b>
L.E. Series All-In-One Endoscopy Camera Systems	9
L.S. Series All-In-One Endoscopy Camera Systems	16
<b>L.E./L.S. Series Carts, Mounts &amp; Accessories</b> .....	<b>25</b>
L.E./L.S. Series All-In-One Endoscopy Platforms.....	26
<b>Hi-Fi Rigid Endoscopes™</b> .....	<b>29</b>
Hi-Fi Rigid Sinuscopes.....	31
Hi-Fi Rigid In-Office Endoscopes.....	35
Hi-Fi Rigid Otoscopes.....	36
Hi-Fi Rigid Laryngoscopes.....	41
Accessories for Hi-Fi Rigid Endoscopes.....	43
Hi-Fi Flexible Fiberoptic Nasopharyngoscope.....	44
<b>Microscopes</b> .....	<b>47</b>
Precision Perfected For Otology.....	48
Model 1 Microscope	50
Model 2 Microscope	56
Packages for Model 1 & Model 2 Microscopes	62
Accessories for Model 1 & Model 2 Microscopes.....	64
<b>Temporal Bone Microscopes</b> .....	<b>65</b>
Model 1 Temporal Bone Microscope	66
Model 2 Temporal Bone Microscope	68
Model 1 & 2 Temporal Bone Microscope Options	70







# All-In-One Camera Systems

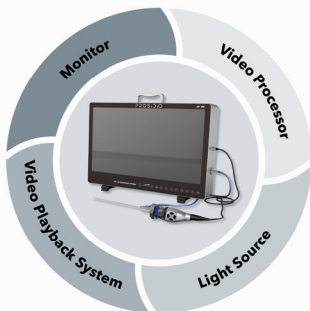


# All-In-One Endoscopy Camera Systems



## Charting a Path to Endoscopic Superiority

*At the crossroads of innovation and design in the world of medical technology stands **PROSIDIO**. These aren't just tools; they're statements of intent.*

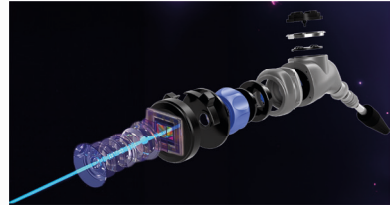


## The All-In-One Advantage: Revolution, Not Evolution

The all-in-one systems are more than just devices; they are the future, marrying optimal technological components into cohesive, ergonomic masterpieces.

## Sony CMOS: Imaging at the Apex

At the heart of Prosidio's devices lies a component that defines its edge: the Sony CMOS sensor. Eclipsing traditional CCD sensors with higher efficiency, faster speeds, and affordable pricing.

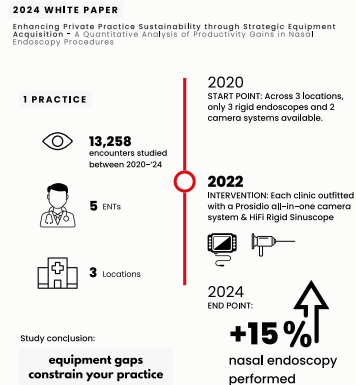


## Features

- **Instant Capture:** Seamlessly record videos or capture images directly from the camerahead.
- **Imaging Modes:** Easily switch between flexible fiberoptic and rigid endoscopy modes.
- **True Color Fidelity:** Experience color reproduction that mirrors reality, crucial for accurate diagnostics and procedures.
- **Precision Zoom:** Enhanced digital zoom capabilities allow for comprehensive visibility and analysis.

## Case Study: Enhancing Private Practice Efficiency

- **Background:** Implementation of Prosidio's endoscopic systems in a five-physician ENT practice.
- **Results:**
  - Increased nasal endoscopy procedures by 15.6% post-implementation.
  - Rapid investment recovery, within 45-50 days.
- **Impact:** Improved diagnostic capabilities and operational efficiency, leading to enhanced patient care and practice sustainability.



## Craftsmanship: Where Elegance Meets Durability

- **Aluminum Elegance:** Lightweight and sturdy, it's a symbol of Prosidio's commitment to longevity.
- **Medical Glass Mastery:** Prosidio's medical glass monitors don't just display images; they offer unparalleled clarity.
- **Industry-Leading Reliability:** With a 97.5% reliability rate, Prosidio systems set new standards for dependability in medical technology.



# L.E. Series All-In-One Endoscopy Camera Systems



*The L.E. Series, a beacon in the endoscopic world, offers unmatched image quality wrapped in a design that speaks to both the heart and the mind."*

## Unmatched Clarity for Every Diagnosis

In the L.E. Series, clarity transcends functionality—it is the essence of Prosidio's design philosophy. With a profound ability to render vivid colors and intricate details, the L.E. instills unparalleled confidence in practitioners, revolutionizing the art of diagnosis and opening new horizons in medical exploration.

# L.E. 22" All-In-One Endoscopy Camera System



## L.E. 22" All-In-One Endoscopy Camera System | Z008774

- 1080p SONY CMOS Sensor
- 2.1 million pixels
- IPX8 waterproof
- Quad button controls
- 22" Glass HD monitor
- Picture and video recording and playback
- Optional keyboard interface
- Integrated 80W LED light source rated for 70,000 hours
- Expandable USB storage drive
- HDMI, DVI, and S-Video output
- Aluminum carrying case
- 8kg with integrated handle



## Let's be clear

The All-In-One nature of this ground-breaking endoscopic device conveniently bundles a gorgeous 22" monitor, a long-lasting L.E.D light source, and HD camera into one ultra-portable device allowing visual diagnostic procedures to be performed more accurately and precisely. Otolaryngologists with increased visibility and clarity of the entire nasal, otologic, and laryngeal pathology deliver the best possible outcomes during ENT procedures.



## Technical Specifications

### *L.E. 22" All-In-One Endoscopy Camera System*

<b>SKU</b>	<b>Z008774</b>
<b>Camera</b>	1/2.8" 1080p Sony CMOS
<b>Pixel Density</b>	2.1 million pixels
<b>Optical Interface Options</b>	F16, F18, F20, F22, F24, F28, F32
<b>Display</b>	22" HD Glass Monitor
<b>Aspect Ratio</b>	16:9
<b>Resolution</b>	1080p
<b>Video Outputs</b>	HDMI, DVI, CVBS
<b>Light Source</b>	Integrated 80W LED rated for 70,000 hours
<b>Voltage Range</b>	100-240V
<b>Included</b>	<ul style="list-style-type: none"> <li>• L.E. 22" Glass HD LED Monitor</li> <li>• L.E. water resistant HD Camerahead</li> <li>• Universal light source cable</li> <li>• 32 GB USB drive</li> <li>• Aluminium carrying case</li> </ul>
<b>Weight</b>	9.85 kg
<b>Dimensions (mm)</b>	528(L)x105(W)x370(H)

# L.E. 24" Pro All-In-One Endoscopy Camera System



## L.E. 24" Pro All-In-One Endoscopy Camera System | Z007800

- 1080p SONY HDR CMOS Sensor
- 2.35 million pixels
- IPX8 waterproof
- Quad button controls
- 24" Pro Glass HDR monitor
- Picture and video recording and playback
- USB keyboard support for instant file renaming
- Integrated 80W LED light source rated for 70,000 hours
- Expandable USB storage drive
- HDMI, DVI, and S-Video output
- Aluminum carrying case
- 10kg with integrated handle

## Where Innovation Meets Insight

Introducing the new L.E. Pro all-in-one: now equipped with an advanced 1/2.3" Sony CMOS sensor and a 24" medical-grade monitor ensuring superior color accuracy for unparalleled visualization. This revolutionary endoscopic device steps up from the standard L.E. by not only offering a larger, clearer display but also ensuring crisper image quality. Level up with the L.E. Pro.



## Technical Specifications

### *L.E. 24" Pro All-In-One Endoscopy Camera System*

<b>SKU</b>	<b>Z007800</b>
<b>Camera</b>	1/2.3" 1080p HDR Sony CMOS
<b>Pixel Density</b>	2.35 million pixels
<b>Optical Interface Options</b>	F16, F18, F20, F22, F24, F28, F32
<b>Display</b>	24" Pro Medical Glass HDR Monitor
<b>Aspect Ratio</b>	16:9
<b>Resolution</b>	1080p
<b>Video Outputs</b>	HDMI, DVI, CVBS
<b>Light Source</b>	Integrated 80W LED rated for 70,000 hours
<b>Voltage Range</b>	100–240V
<b>Included</b>	<ul style="list-style-type: none"> <li>• L.E. 24" Glass HDR Monitor</li> <li>• L.E. water resistant 1080p Sony CMOS HD Camerahead</li> <li>• Light source cable</li> <li>• 32 GB USB drive</li> <li>• Aluminum carrying case</li> </ul>
<b>Weight</b>	10.1 kg
<b>Dimensions (mm)</b>	573(L)x105(W)x370(H)

# L.E. Mini All-In-One Endoscopy Camera System



## L.E. Mini All-In-One Endoscopy Camera System | R435111

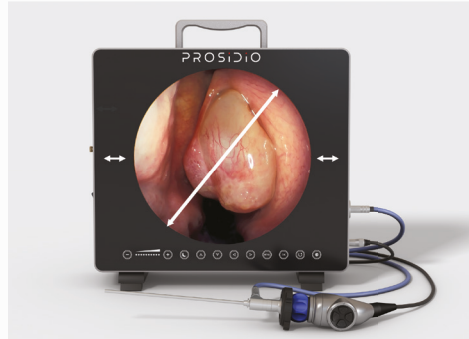
- 1080p SONY CMOS HD Camera
- Picture and video recording directly to USB drive
- Innovated square 15" Glass HD monitor
- Integrated 80W LED light source rated for 70,000 hours
- Quad button camerahead
- Automatic white balance
- Aluminum carrying case

## Better care, simplified

The compact, versatile L.E. Mini All-In-One Camera System can be easily carried to any clinic room or hospital unit, making visual diagnostic procedures more convenient for you and your patients. By avoiding the need to bring patients to a dedicated procedure room, L.E. Mini improves workflow, avoids scheduling delays, increases productivity, and increases the breadth of procedures that can be performed at the bedside.

## Compact, without compromise

The L.E. Mini Camera System has a unique square shape that makes better use of space compared to traditional circular endoscope images. **Thus, the image on our 15" screen with a 4:3 ratio appears larger than what you'd find on the 18.5" screen with a 16:9 ratio used by our competitors.**



## Technical Specifications

### L.E. Mini All-In-One Endoscopy Camera System

<b>SKU</b>	<b>R435111</b>
<b>Camera</b>	1/2.8" 1080p Sony CMOS
<b>Pixel Density</b>	2.1 million pixels
<b>Optical Interface Options</b>	F16, F18, F20, F22, F24, F28, F32
<b>Display</b>	15" HD Medical Glass Monitor
<b>Aspect Ratio</b>	4:3
<b>Resolution</b>	1080p
<b>Video Outputs</b>	HDMI, DVI, CVBS
<b>Light Source</b>	Integrated 80W LED rated for 70,000 hours
<b>Voltage Range</b>	100–240V
<b>Included</b>	<ul style="list-style-type: none"> <li>• L.E. 15" 4:3 Glass HD LED Monitor</li> <li>• L.E. water resistant 1080p Sony CMOS HD Camerahead</li> <li>• Light source cable</li> <li>• 32 GB USB drive</li> <li>• Aluminium carrying case</li> </ul>
<b>Weight</b>	8.00 kg
<b>Dimensions (mm)</b>	360(L)x105(W)x360(H)





# L.S. Series All-In-One Endoscopy Camera Systems



*With its ultra-slim profile, L.S. Series stands as a harbinger of a new epoch in medical technology. It's not just an endoscopic system; it's a piece of the future, crafted for the now.*

## A Vision in Every Dimension, Versatility in Every Pixel

The L.S. Series redefines sleekness in medical technology, offering a range of sizes up to a stunning 32" 4K display – the first and only 4K all-in-one endoscopy camera system on the market. Compatible with our upcoming advanced distal chip scopes, the L.S. is where medical technology meets the horizon of tomorrow.

# L.S. 15" HD All-In-One Endoscopy Camera System

*"Compact Vision, Unbounded Clarity"*



The 15" HD L.S. Series is the epitome of compact efficiency, designed for environments where space is at a premium but compromise on quality is not an option. Perfect for focused diagnostics, this system brings every detail into sharp relief, making it an ideal choice for practices seeking precision in a compact package.

## Key Features

- IPX8 waterproof camerahead with quad button controls
- 15.6" HD monitor
- Picture capture video recording local playback
- Compatible single use and reusable endoscopes
- Built-in microphone for audio recording during examinations (PLS15HDFLX1 only)
- Integrated 80W LED light source rated for 70,000 hours
- Built in 256GB hard disk
- Expandable USB storage drive
- Optional HDMI input to allow navigation system video feed passthrough
- HDMI DVI VGA and CVBS output
- Rotation base bracket

## Technical Specifications

### L.S. 15" HD All-In-One Endoscopy Camera System

SKU	Standard	PLS15HD1
	Standard w/ HDMI input†	PLS15HDLAB1
	Distal-Chip Ready‡	PLS15HDFLX1
Camera	1080P SONY 1/1.8 CMOS Sensor	
Pixel Density	2.1 million pixels	
Optical Interface Options	F16, F18, F20, F22, F25, F28, F32	
Display	15.6" HD monitor	
Aspect Ratio	16:9	
Resolution	1080p	
Video Outputs	HDMI, DVI, VGA, and CVBS output	
Light Source	Integrated 80W LED rated for 70,000 hours	
Built-in Hard Disk	256 GB	
Local Playback	Yes	
Voltage Range	100–240 V	
Included	<ul style="list-style-type: none"> <li>• 15.6" HD Monitor</li> <li>• Water-resistant 1080p Sony CMOS HD Camerahead</li> <li>• Light Source Cable</li> <li>• 32 GB USB Drive</li> </ul>	
Weight	11.5 kg (with base bracket)	
Dimensions (CM)	39(L) x 30(W) x 8(H)	

†Includes an additional HDMI port to display external video sources such as the Model 2 microscopes, navigation systems. Best option for temporal bone and sinus anatomy labs.

‡Includes an additional input compatible with Prosidio's upcoming high-definition distal chip disposable and reusable nasopharyngoscopes. Includes built-in microphone.



# L.S. 24" HD/4K All-In-One Endoscopy Camera System

*"Broaden Your Horizons, Sharpen Your View"*



The 24" L.S. Series marries expansive display capabilities with refined imaging technology in both HD or 4K. Ideal for practices that require a broader view without sacrificing clarity, this system offers a perfect balance between size and performance, making it a versatile choice for diverse diagnostic needs.

## Key Features

- IPX8 waterproof Camerahead with quad button controls
- 24" HD or 4K monitor
- Picture capture video recording local playback
- Compatible single use and reusable endoscopes
- Optional keyboard interface
- Integrated 80W LED light source rated for 70,000 hours.
- Built in 256GB hard disk.
- Expandable USB storage drive
- HDMI input & output: allows 4K navigation system video feed passthrough
- DVI VGA and CVBS output
- Rotation base bracket

## Technical Specifications

### L.S. 24" HD/4K All-In-One Endoscopy Camera System

Feature	Specifications (HD)	Specifications (4K)
SKU	Standard	PLS24HD1
	Distal-Chip Ready†	PLS24HDFLEX1
Camera	1080P SONY 1/1.8 CMOS Sensor	4K SONY 1/2.8 CMOS Sensor
Pixel Density	2.1 million pixels	8 million pixels
Optical Interface Options	F16, F18, F20, F22, F25, F28, F32	
Display	24" HD Medical monitor	24" 4K Medical monitor
Aspect Ratio	16:9	
Resolution	1080p	2160p
Video Outputs	HDMI, DVI, and VGA output	
Light Source	Integrated 80W LED rated for 70,000 hours	
Built-in Hard Disk	256 GB	
Local Playback	Yes	
Voltage Range	100–240V	
Included	<ul style="list-style-type: none"> <li>• 24" HD</li> <li>• Water-resistant 1080p Sony CMOS HD Camerahead</li> <li>• Light Source Cable</li> <li>• 32 GB USB Drive</li> <li>• 24" 4K Monitor</li> <li>• Water-resistant 4K Sony CMOS Camerahead</li> <li>• Light Source Cable</li> <li>• 32 GB USB Drive</li> </ul>	
Weight	15.7 kg (with base bracket)	
Dimensions (CM)	59(L) x 42(W) x 8(H)	

†Includes an additional input compatible with Prosidio's upcoming high-definition distal chip disposable and reusable nasopharyngoscopes.



# L.S. 32" 4K All-In-One Endoscopy Camera System

*"Visionary Brilliance, Unmatched Elegance"*



The 32" 4K L.S. Series is a groundbreaking leap in endoscopic imaging. Boasting a stunning 4K resolution, it offers unparalleled clarity and detail, ideal for practices where the most minute details make the difference. This system is a visionary tool, blending unparalleled image quality with a sleek, modern design.

## Key Features

- Stunning 32" 4K resolution monitor for unmatched detail and clarity.
- IPX8 waterproof camerahead with quad button controls
- Picture capture video recording local playback
- Compatible single use and reusable endoscopes
- Optional keyboard interface
- Integrated 80W LED light source rated for 70,000 hours.
- Built in 256GB hard disk.
- Expandable USB storage drive
- HDMI input & output: allows 4K navigation system video feed passthrough
- DVI VGA and CVBS output
- Rotation base bracket



## Technical Specifications

### *L.S. 32" 4K All-In-One Endoscopy Camera System*

<b>SKU</b>	<b>PLS32UHD1</b>
<b>Camera</b>	4K SONY 1/2.8 CMOS Sensor
<b>Pixel Density</b>	8 million pixels
<b>Optical Interface Options</b>	F16, F18, F20, F22, F25, F28, F32
<b>Display</b>	32" 4K medical monitor
<b>Aspect Ratio</b>	16:9
<b>Resolution</b>	2160p
<b>Video Outputs</b>	HDMI, DVI output
<b>Video Input</b>	HDMI
<b>Light Source</b>	Integrated 80W LED rated for 70,000 hours
<b>Built-in Hard Disk</b>	256 GB
<b>Local Playback</b>	Yes
<b>Voltage Range</b>	100–240 V
<b>Included</b>	<ul style="list-style-type: none"> <li>• 32" 4K Medical Monitor</li> <li>• Water-resistant 4K Sony CMOS Camerahead</li> <li>• Light Source Cable</li> <li>• 32 GB USB Drive</li> <li>• Carton Package</li> </ul>
<b>Dimensions (CM)</b>	77(L) x 53(W) x 8(H)
<b>Weight</b>	16 kg



## Upcoming Additions: Reusable and Disposable Flexible Nasopharyngoscope



### Flexible Reusable Nasopharyngoscope (SKU: **PLSHSF930**)

Tailored for intricate examinations with reusable flexibility, offering high-quality imaging and durability.

### Flexible Disposable Nasopharyngoscope (SKU: **PLSHSFD930**)

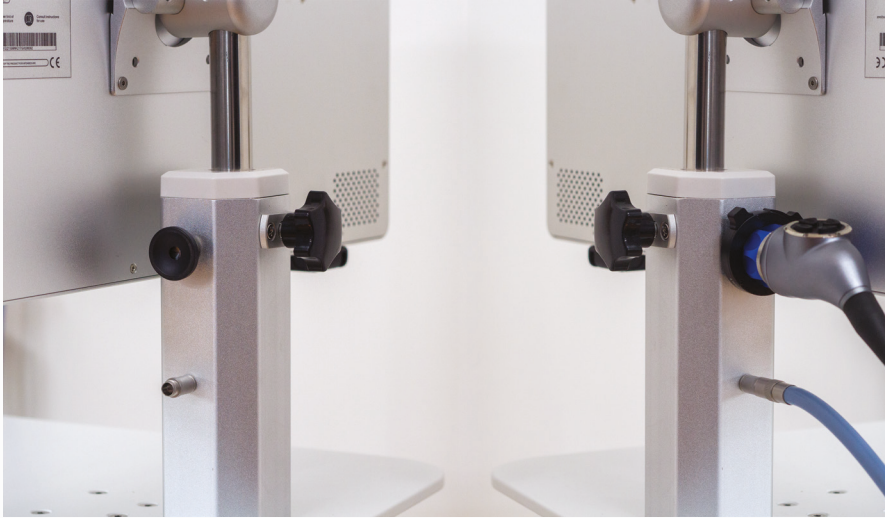
Designed for single-use, ensuring hygiene and convenience without compromising on imaging quality.



**L.E./L.S. Series Carts,  
Mounts & Accessories**



# L.E./L.S. Series All-In-One Endoscopy Platforms

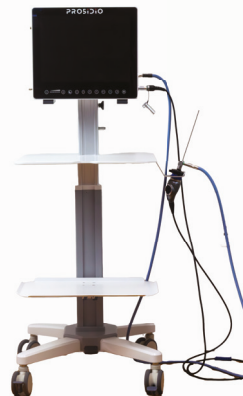


Sleek and multifunctional, our endoscopy carts and mounts optimize the Prosidio All-In-One camera systems. They feature dual-axis monitor support, gas-spring arms, and quick-stow slots for the camerahead and light. Tight on space? Our wall mount snugly fits alongside microscopes. The rolling carts boast a slim design for easy room-to-room transport, while a side holster ensures sterile handling mid-procedure.

## All-In-One In-Office Endoscopy Cart | J682385

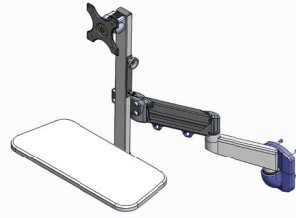
- 480x480mm base
- Main column with gas-spring adjustable height (765-1070mm)
- Mounting column with manual height adjustment (285-395mm) camerahead and light source mounts 100x100 VESA monitor mount with 2-axis of rotation
- Main shelf (490x460mm) with camera-head holster
- Adjustable height accessory shelf (440x263mm)

**Additional 28cm x 28cm accessory shelf for All-In-One In-Office Endoscopy Cart | LECS28CM**



## All-In-One Wall Mount With Gas-Spring Arm | **LECXGSMV1**

- Double arm articulating wall mount with gas-spring (total length: 62cm)
- +/- 35° Vertical articulation range
- Working shelf (450x200mm)
- Camerahead and light source mount
- 100x100mm VESA mount with 2-axis of rotation



## Dual-monitor ENT Endoscopy Procedure Cart | **LECXFgv1** | **LECXFgv2**

Designed for sinonasal procedures in the office or ASC that utilize image navigation systems such as the Medtronic StealthStation FlexENT (**LECXFgv1**) | Stryker Scopes or Fiagon Cube4D (**LECXFgv2**)

- Main column with gas-spring adjustable height
- Single heavy duty navigation mount and single 180° rotating gas-spring arms with VESA 100x100 mounts (**LECXFgv1**)
- Dual 180° rotating gas-spring arms with VESA 100x100 mounts (**LECXFgv2**)
- First arm for Prosidio L.E. or L.S. series All-In-One system
- Second arm for image navigation monitor output
- Main shelf with camerahead holster
- Accessory storage drawer
- Adjustable height accessory shelf



**LECXFgv1**



**LECXFgv2**

# Accessories & Parts For L.E. / L.S. Series All-In-One Endoscopy Systems

## Cameraheads

- IPX8 waterproof
- Ergonomic Design
- 4-button design
- AWD
- Digital Zoom +/-
- Picture/Video Recording

### L.E. Series IPX8 1080p Sony 1/2.8 camerahead

compatible with L.E. and L.E. Mini All-In-One Endoscopy Camera Systems

**LEHD28CMRH**

### L.E. Pro Series IPX8 HDR Sony 1/2.3 camerahead

compatible with L.E. 24" Pro All-In-One Endoscopy Camera Systems

**LEProHDCMRH**

### L.S. IPX8 1/2.8 4K Sony camerahead for L.S. 32" 4K systems

compatible with L.S. 32" 4K all-in-one camera system (PLS32UHD1)

**LS4K25CMRH**

### L.S. IPX8 1/2.8 4K Sony camerahead for L.S. 24" 4K systems

compatible with L.S. 24" 4K all-in-one camera systems (PLS24UHD1/PLS24UHDFLEX1)

**LS4K24CMRH**

### L.S. IPX8 HD Sony camerahead for L.S. 15" & 24" HD series

compatible with L.S. 15" and 24" HD all-in-one camera systems

(**PLS15HD1 / PLS15HDLAB1 / PLS15HDFLX1 / PLS24HD1 / PLS24HDFLEX1**)

## L.E. / L.S. Series Camerahead Couplers

### L.E./L.S. Series camerahead coupler

F-16mm

**LECPL16mm**

F-18mm

**LECPL18mm**

F-20mm

**LECPL20mm**

F-22mm

**LECPL22mm**

F-24mm

**LECPL24mm**

### L.E./L.S. variable focus camerahead coupler

F14-F28

**LE4KCPLVF14F28mm**

## L.E. / L.S. Series Replacement Parts and Adapters

1. Universal 2.5m LED light cable | **LECLEDLReg**
2. Universal 3m extended LED light cable | **LECLEDL3m**
3. USA AC power cable | **LEPWRCBLR**
4. LEHD28CMRH Camerahead button replacement | **LEHD28CMRH4BTN**
5. Olympus flexible scope adapter | **LEOlymFSA**





# Hi-Fi Rigid Endoscopes™



# Hi-Fi Rigid Endoscopes™

*High Quality Optics, Durable Design*



Prosidio offers rigid otoscopes, sinusscopes, and laryngoscopes built to exacting standards with cutting-edge technology, their sapphire glass tips resist scratches, while the rod lens ensures durability. Our HiFi lens system offers 4K-resolution imaging for modern cameras, and a universal eyepiece ensures easy light source compatibility.

## Features

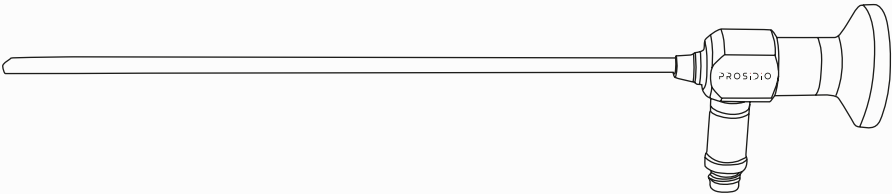
- Patented optic rod lens with Hi-Fi view
- Low-temperature autoclavable stainless steel construction
- German fiber optic glass
- Abrasion-proof, resilient sapphire lens
- Compatible with Olympus, Karl Storz, Wolf, and ACMI light cables
- Designed for 4K cameras



# Hi-Fi Rigid Sinuscopes


**Ø4mm 175mm length**

**Standard Post, Standard Angle Of Field**



0°  **P417N00**

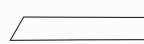
Hi-Fi Rigid Sinuscope 0°, Ø4mm × 175mm Standard light post position, standard angle of field, low-temperature autoclavable

12°  **P417N12**

Hi-Fi Rigid Sinuscope 12°, Ø4mm × 175mm Standard light post position, standard angle of field, low-temperature autoclavable

30°  **P417N30**

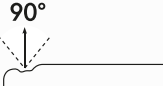
Hi-Fi Rigid Sinuscope 30°, Ø4mm × 175mm Standard light post position, standard angle of field, low-temperature autoclavable

45°  **P417N45**


Hi-Fi Rigid Sinuscope 45°, Ø4mm × 175mm Standard light post position, standard angle of field, low-temperature autoclavable

70°  **P417N70**

Hi-Fi Rigid Sinuscope 70°, Ø4mm × 175mm Standard light post position, standard angle of field, low-temperature autoclavable

90°  **P417N90**

Hi-Fi Rigid Sinuscope 90°, Ø4mm × 175mm Standard light post position, standard angle of field, low-temperature autoclavable

120°  **P417N110**

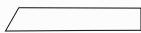
Hi-Fi Rigid Sinuscope 120°, Ø4mm × 175mm Standard light post position, standard angle of field, low-temperature autoclavable

**Ø4mm 175mm length**  
**Reverse Post, Standard Angle Of Field**



30°  **P417R30**

Hi-Fi Rigid Sinuscope 30° Reverse-post, Ø4mm × 175mm, Reversed light post position, standard angle of field, low-temperature autoclavable

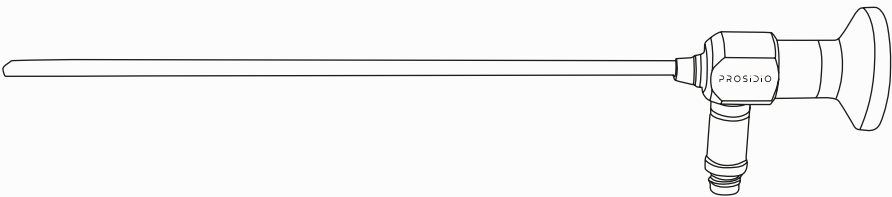
45°  **P417R45**

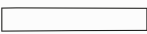
Hi-Fi Rigid Sinuscope 45° Reverse-post, Ø4mm × 175mm, Reversed light post position, standard angle of field, low-temperature autoclavable

70°  **P417R70**

Hi-Fi Rigid Sinuscope 70° Reverse-post, Ø4mm × 175mm, Reversed light post position, standard angle of field, low-temperature autoclavable

**Ø4mm 175mm length**  
**Standard Post, Wide Angle Of Field**



0°  **P417W0090**

Hi-Fi Rigid Sinuscope 0°, Ø4mm × 175mm, Standard light post position, wide angle of field: 90°, low-temperature autoclavable

30°  **P417W3090**

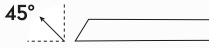
Hi-Fi Rigid Sinuscope 30°, Ø4mm × 175mm, Standard light post position, wide angle of field: 90°, low-temperature autoclavable

---


### Ø4mm 175mm length

**Standard Post, Wide Angle Of Field**

---

 **P417W4590** Hi-Fi Rigid Sinuscope 45°, Ø4mm × 175mm , Standard light post position, wide angle of field: 90°, low-temperature autoclavable

---

 **P417W7090** Hi-Fi Rigid Sinuscope 70°, Ø4mm × 175mm , Standard light post position, wide angle of field: 90°, low-temperature autoclavable

---

 **P417W0011** Hi-Fi Rigid Sinuscope 0°, Ø4mm × 175mm , Standard light post position, wide angle of field: 110°, low-temperature autoclavable

---

 **P417W3011** Hi-Fi Rigid Sinuscope 30°, Ø4mm × 175mm , Standard light post position, wide angle of field: 110°, low-temperature autoclavable

---

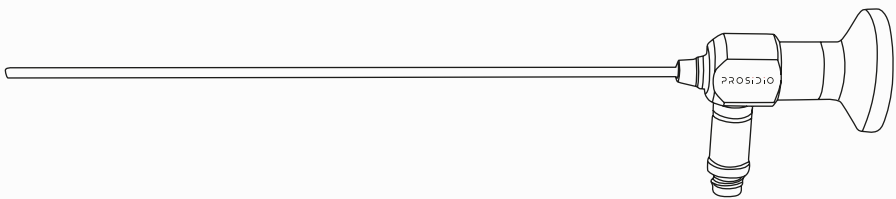
 **P417W7011** Hi-Fi Rigid Sinuscope 70°, Ø4mm × 175mm , Standard light post position, wide angle of field: 110°, low-temperature autoclavable

---

### Ø3mm 175mm length


**Standard Post, Standard Angle Of Field**

---



 **P317N0** Hi-Fi Rigid Sinuscope 0°, Ø3mm × 175mm Standard light post position, standard angle of field, low-temperature autoclavable

---

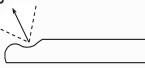
 **P317N30** Hi-Fi Rigid Sinuscope 30°, Ø3mm × 175mm Standard light post position, standard angle of field, low-temperature autoclavable

---

**Ø3mm 175mm length**

**Standard Post, Standard Angle Of Field**

70°

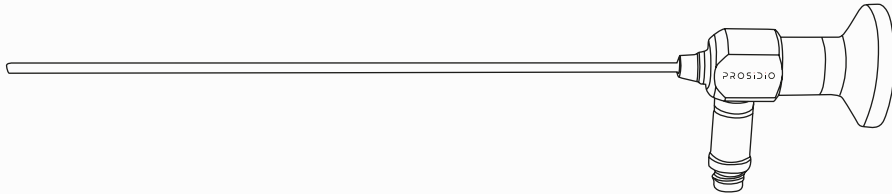


**P317N70**

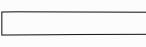
Hi-Fi Rigid Sinuscope 70°, Ø3mm × 175mm  
Standard light post position, standard angle of field, low-temperature autoclavable

**Ø2.7mm 175mm length**

**Pediatric, Standard Post, Standard Angle Of Field**



0°



**P217N00**

Hi-Fi Rigid Sinuscope 0°, Ø2.7mm × 175mm  
Standard light post position, standard angle of field, low-temperature autoclavable

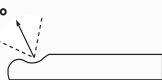
30°



**P217N30**

Hi-Fi Rigid Sinuscope 30°, Ø2.7mm × 175mm  
Standard light post position, standard angle of field, low-temperature autoclavable

70°



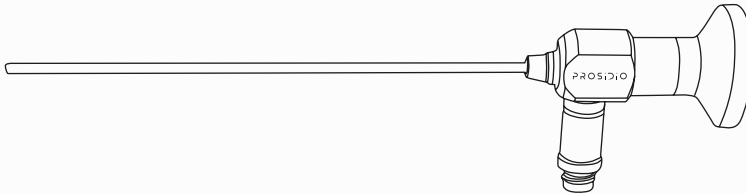
**P217N70**

Hi-Fi Rigid Sinuscope 70°, Ø2.7mm × 175mm  
Standard light post position, standard angle of field, low-temperature autoclavable

# Hi-Fi Rigid In-Office Endoscopes


**Ø3mm 130mm length**

**Standard Post, Standard Angle Of Field, Designed For In-Office Use**




0°  **P313N00**

Hi-Fi Rigid Endoscope 0°, Ø3mm × 130mm  
Standard light post position, standard angle of field, low-temperature autoclavable

30°  **P313N30**

Hi-Fi Rigid Endoscope 30°, Ø3mm × 130mm  
Standard light post position, standard angle of field, low-temperature autoclavable

45°  **P313N45**

Hi-Fi Rigid Endoscope 45°, Ø3mm × 130mm  
Standard light post position, standard angle of field, low-temperature autoclavable

70°  **P313N70**

Hi-Fi Rigid Endoscope 70°, Ø3mm × 130mm  
Standard light post position, standard angle of field, low-temperature autoclavable




**Ø3mm 120mm length**

**Reverse Post, Standard Angle Of Field, Designed For In-Office Use**

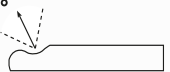


30°  **P312R30**

Hi-Fi Rigid Endoscope 30° Reverse-post, Ø3mm x 120mm, Reversed light post position, standard angle of field, low-temperature autoclavable

45°  **P312R45**

Hi-Fi Rigid Endoscope 45° Reverse-post, Ø3mm x 120mm, Reversed light post position, standard angle of field, low-temperature autoclavable

70°  **P312R70**

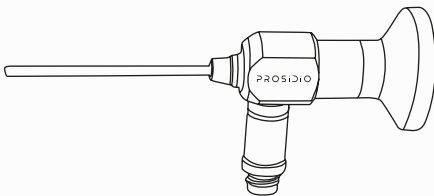
Hi-Fi Rigid Endoscope 70° Reverse-post, Ø3mm x 120mm, Reversed light post position, standard angle of field, low-temperature autoclavable

\*for Diagnosis of Otologic conditions

**Hi-Fi Rigid Otoscopes**

**Ø2.7mm**

**Standard Post, Standard Angle Of Field**



0°  **P25N00**

Hi-Fi Rigid Otoscope 0°, Ø2.7mm x 50mm Standard light post position, standard angle of field, low-temperature autoclavable

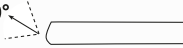
---

## Ø2.7mm

### Standard Post, Standard Angle Of Field

---

30°

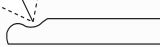


**P25N30**

Hi-Fi Rigid Otoscope 30°, Ø2.7mm × 50mm  
Standard light post position, standard angle of field, low-temperature autoclavable

---

70°

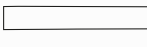


**P25N70**

Hi-Fi Rigid Otoscope 70°, Ø2.7mm × 50mm  
Standard light post position, standard angle of field, low-temperature autoclavable

---

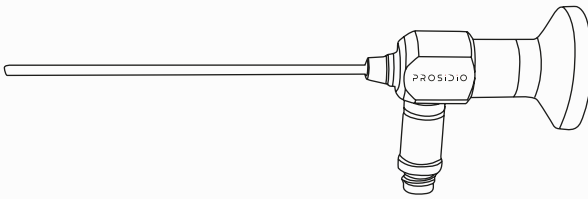
0°



**P26N00**

Hi-Fi Rigid Otoscope 0°, Ø2.7mm × 60mm Standard  
light post position, standard angle of field,  
low-temperature autoclavable

---



0°



**P29N00**

Hi-Fi Rigid Otoscope 0°, Ø2.7mm × 90mm Standard  
light post position, standard angle of field,  
low-temperature autoclavable

---

30°

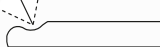


**P29N30**

Hi-Fi Rigid Otoscope 30°, Ø2.7mm × 90mm  
Standard light post position, standard angle of field, low-temperature autoclavable

---

70°



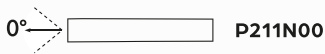
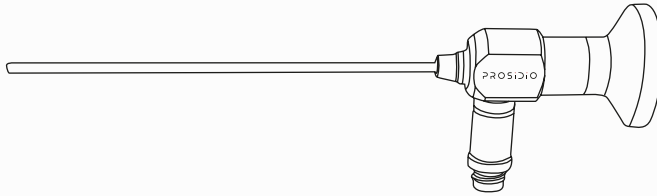
**P29N70**

Hi-Fi Rigid Otoscope 70°, Ø2.7mm × 90mm  
Standard light post position, standard angle of field, low-temperature autoclavable

---

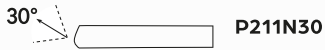
**Ø2.7mm**

**Standard Post, Standard Angle Of Field**



**P211N00**

Hi-Fi Rigid Otoscope 0°, Ø2.7mm × 110mm  
Standard light post position, standard angle of field, low-temperature autoclavable



**P211N30**

Hi-Fi Rigid Otoscope 30°, Ø2.7mm × 110mm  
Standard light post position, standard angle of field, low-temperature autoclavable

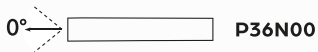
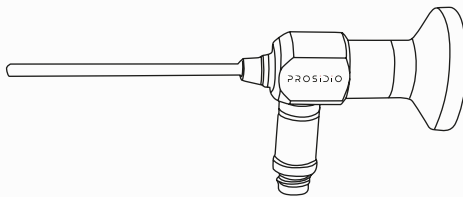


**P211N70**

Hi-Fi Rigid Otoscope 70°, Ø2.7mm × 110mm  
Standard light post position, standard angle of field, low-temperature autoclavable

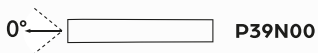
**Ø3mm**

**Standard Post, Standard Angle Of Field**



**P36N00**

Hi-Fi Rigid Otoscope 0°, Ø3mm × 60mm  
Standard light post position, standard angle of field, low-temperature autoclavable



**P39N00**

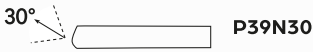
Hi-Fi Rigid Otoscope 0°, Ø3mm × 90mm  
Standard light post position, standard angle of field, low-temperature autoclavable

---

**Ø3mm**

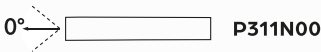
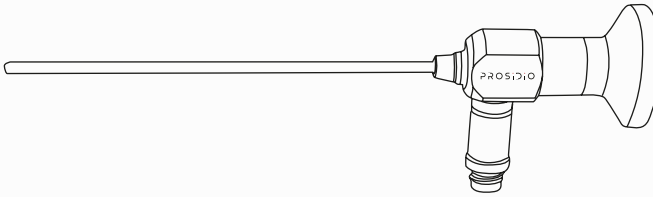
**Standard Post, Standard Angle Of Field**

---



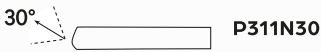
Hi-Fi Rigid Otoscope 30°, Ø3mm × 90mm Standard light post position, standard angle of field, low-temperature autoclavable

---



Hi-Fi Rigid Otoscope 0°, Ø3mm × 110mm Standard light post position, standard angle of field, low-temperature autoclavable

---



Hi-Fi Rigid Otoscope 30°, Ø3mm × 110mm Standard light post position, standard angle of field, low-temperature autoclavable

---



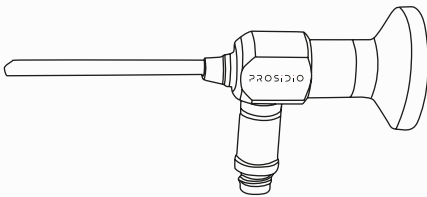
Hi-Fi Rigid Otoscope 70°, Ø3mm × 110mm Standard light post position, standard angle of field, low-temperature autoclavable

---

**Ø4mm**

**Standard Post, Standard Angle Of Field**

---

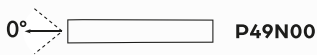
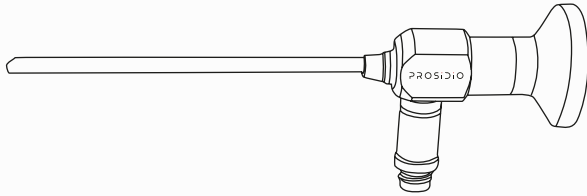


Hi-Fi Rigid Otoscope 0°, Ø4mm × 50mm Standard light post position, standard angle of field, low-temperature autoclavable

---

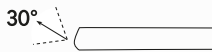
**Ø4mm**

**Standard Post, Standard Angle Of Field**



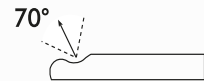
**P49N00**

Hi-Fi Rigid Otoscope 0°, Ø4mm × 90mm Standard light post position, standard angle of field, low-temperature autoclavable



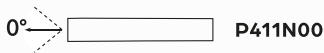
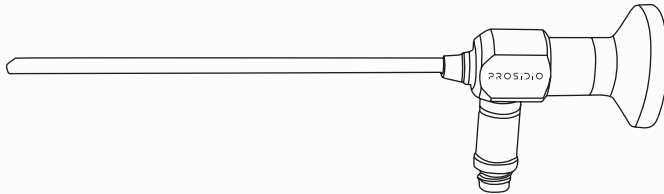
**P49N30**

Hi-Fi Rigid Otoscope 30°, Ø4mm × 90mm Standard light post position, standard angle of field, low-temperature autoclavable



**P49N70**

Hi-Fi Rigid Otoscope 70°, Ø4mm × 90mm Standard light post position, standard angle of field, low-temperature autoclavable



**P411N00**

Hi-Fi Rigid Otoscope 0°, Ø4mm × 110mm Standard light post position, standard angle of field, low-temperature autoclavable



**P411N30**

Hi-Fi Rigid Otoscope 30°, Ø4mm × 110mm Standard light post position, standard angle of field, low-temperature autoclavable

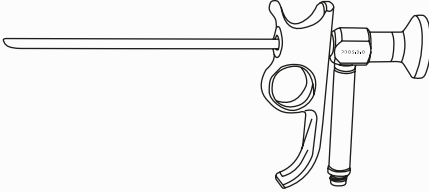


**P411N70**

Hi-Fi Rigid Otoscope 70°, Ø4mm × 110mm Standard light post position, standard angle of field, low-temperature autoclavable

# Hi-Fi Rigid Laryngoscopes

**Ø6mm**  
**Standard Post**



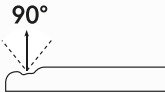
**P618N70**

Hi-Fi Rigid Laryngoscope 70°, Ø6mm × 184mm  
Standard light post position, standard angle of field, low-temperature autoclavable



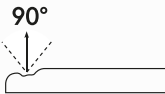
**P618H70**

Hi-Fi Rigid Laryngoscope 70°, Ø6mm × 185mm  
**with handle**, Standard light post position, standard angle of field, low-temperature autoclavable



**P617N90**

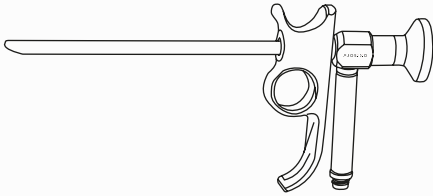
Hi-Fi Rigid Laryngoscope 90°, Ø6mm × 179mm  
Standard light post position, standard angle of field, low-temperature autoclavable



**P618H90**

Hi-Fi Rigid Laryngoscope 90°, Ø6mm × 180mm  
**with handle**, Standard light post position, standard angle of field, low-temperature autoclavable

**Ø8mm**  
**Standard Post**



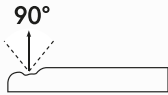
**P818N70**

Hi-Fi Rigid Laryngoscope 70°, Ø8mm × 184mm  
Standard light post position, standard angle of field, low-temperature autoclavable



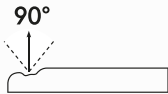
**P818H70**

Hi-Fi Rigid Laryngoscope 70°, Ø8mm × 185mm  
**with handle**, Standard light post position, standard angle of field, low-temperature autoclavable



**P817N90**

Hi-Fi Rigid Laryngoscope 90°, Ø8mm × 179mm  
Standard light post position, standard angle of field, low-temperature autoclavable



**P818H90**

Hi-Fi Rigid Laryngoscope 90°, Ø8mm × 180mm  
**with handle**, Standard light post position, standard angle of field, low-temperature autoclavable

---

**Ø10mm**

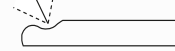
**Standard Post, Standard Angle Of Field**

---



---

**70°**

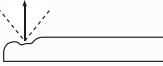


**P1018N70**

Hi-Fi Rigid Laryngoscope 70°, Ø10mm × 185mm  
Standard light post position, standard angle of field, low-temperature autoclavable

---

**90°**



**P1018N90**

Hi-Fi Rigid Laryngoscope 90°, Ø10mm × 185mm  
Standard light post position, standard angle of field, low-temperature autoclavable

---

## Accessories for Hi-Fi Rigid Endoscopes

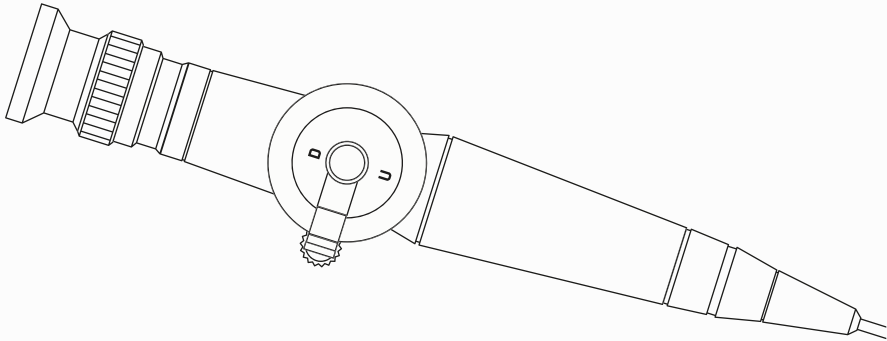
1. Hi-Fi Otoscope and Sinuscope protective plastic covers | **ENSC001**
2. Hi-Fi Rigid Endoscope CSA repair and replace program | **HiFCSA-1yr**

Enjoy the peace of mind that comes from knowing most accidental breaks are covered, up to four incidents a year. Whether it's a new, refurbished, or expertly repaired endoscope, we've got you covered.



# Hi-Fi Flexible Fiberoptic Nasopharyngoscope

Flexible Fiberoptic Nasopharyngoscope | **P36NP1S**



## Features

- Wide field of view, optimized for Prosidio's All-In-One camera systems
- Narrow 3.6mm fiberoptic diameter for patient comfort
- Bidirectional articulation range of 135°
- Always in view, always in focus with a 70° field of view and incredible 45mm depth of field
- Universal c-mount eyepiece and compatible with industry standard Storz-style light source adapter

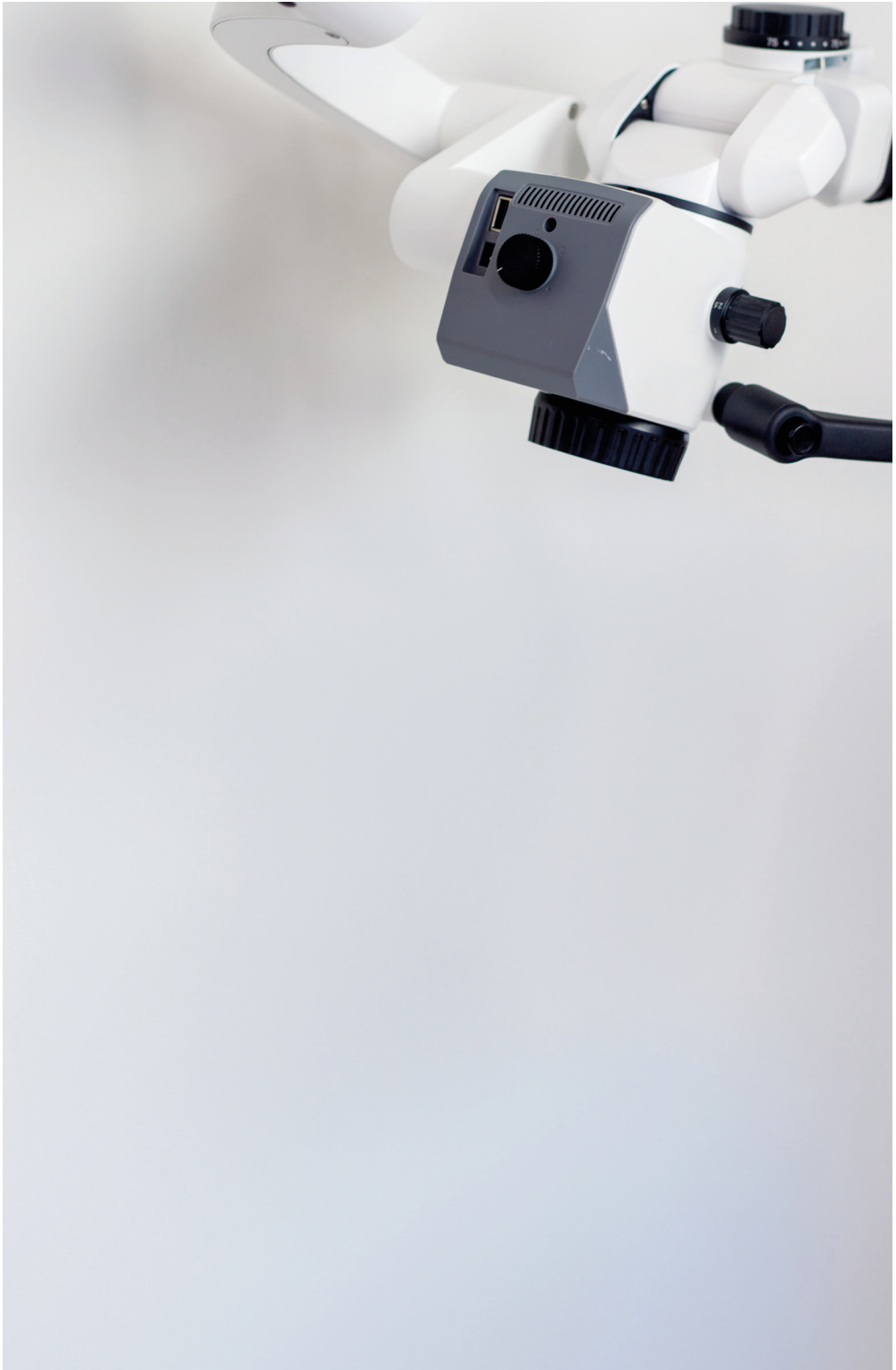


## Technical Specifications

<b>Fiberoptic diameter</b>	3.6mm
<b>Articulation range</b>	+/- 135°
<b>Field of View</b>	70°
<b>Focal range</b>	5mm to 50mm
<b>Working length</b>	30cm
<b>Total length</b>	53cm
<b>Weight</b>	0.33kg (11.6 oz)

## Accessories and Parts list

<b>Scope &amp; Accessories Listing</b>	<b>SKU</b>
ENT-3.6FP30 Nasopharyngoscope	<b>P36NP1S</b>
Storz Adaptor (Scope Adaptor)	<b>F005512M</b>
Wolf Adaptor (Scope Adaptor)	<b>F005511M</b>
Universal Light Guide Cable	<b>F433075P</b>
Leak Tester	<b>F004918</b>
Olympus/ACMI Light Source Adaptor	<b>R012809P</b>
Storz Light Source Adaptor	<b>F012811M</b>
Wolf Light Source Adaptor	<b>F012812M</b>
Carrying Case	<b>P36NP1C</b>
Owners' IFU	<b>P36NP1IFU</b>
Vent Cap & Tag Assembly	<b>P36NP1VCTA</b>





# Microscopes



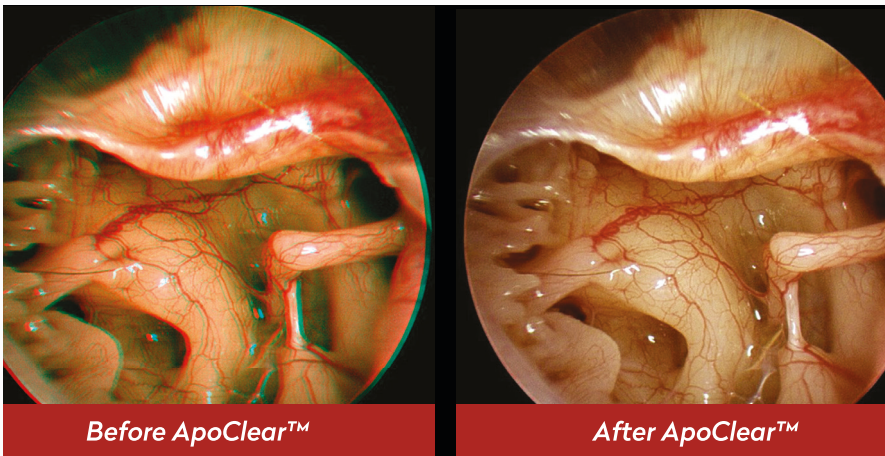
# Precision Perfected For Otology



At the intersection of innovation and affordability lies Prosidio, the gold standard in Otolaryngology microscopes. Our mission: to empower surgeons with the sharpest visual tools, tailored for the demanding intricacies of the ear.

## ApoClear™ Optic Technology

- **Deep Dive Into Details:** With our premium apochromatic glass, you're not just seeing an image, you're experiencing the closest thing to the real surgical field. This corrects light aberrations and ensures that the entire depth of field remains in sharp focus. ApoClear™ brings forward the clarity essential for optimal results.



## LuminEdge™ LED System



- **An Evolution From Traditional Lighting:** Otolgic procedures, often venture deep into cavities. With our industry-leading 80,000 lux LED illumination, no corner remains in the shadows. And while traditional lighting systems can produce uneven or fading light, our LuminEdge™ technology ensures a lasting illumination even at the periphery of the surgical field.

## Adaptable Excellence

- **Customized For You:** ENT procedures vary widely, and so do surgeon preferences. From lens choices to binocular extenders, Prosidio microscopes adapt to fit every unique demand.
- **Comfort Beyond Comparison:** Longer surgeries can take a toll. Our ergonomically designed microscopes ensure surgeons maintain their best posture, minimizing fatigue and optimizing precision.



## Durability Meets Excellence



- **Built To Last:** Each microscope is crafted with aerospace-grade aluminum frame. This not only ensures longevity but also maintains stability during delicate procedures.
- **Crystal Clear Viewing:** Superior medical glass displays mean every image is as real as looking directly at the surgical field.

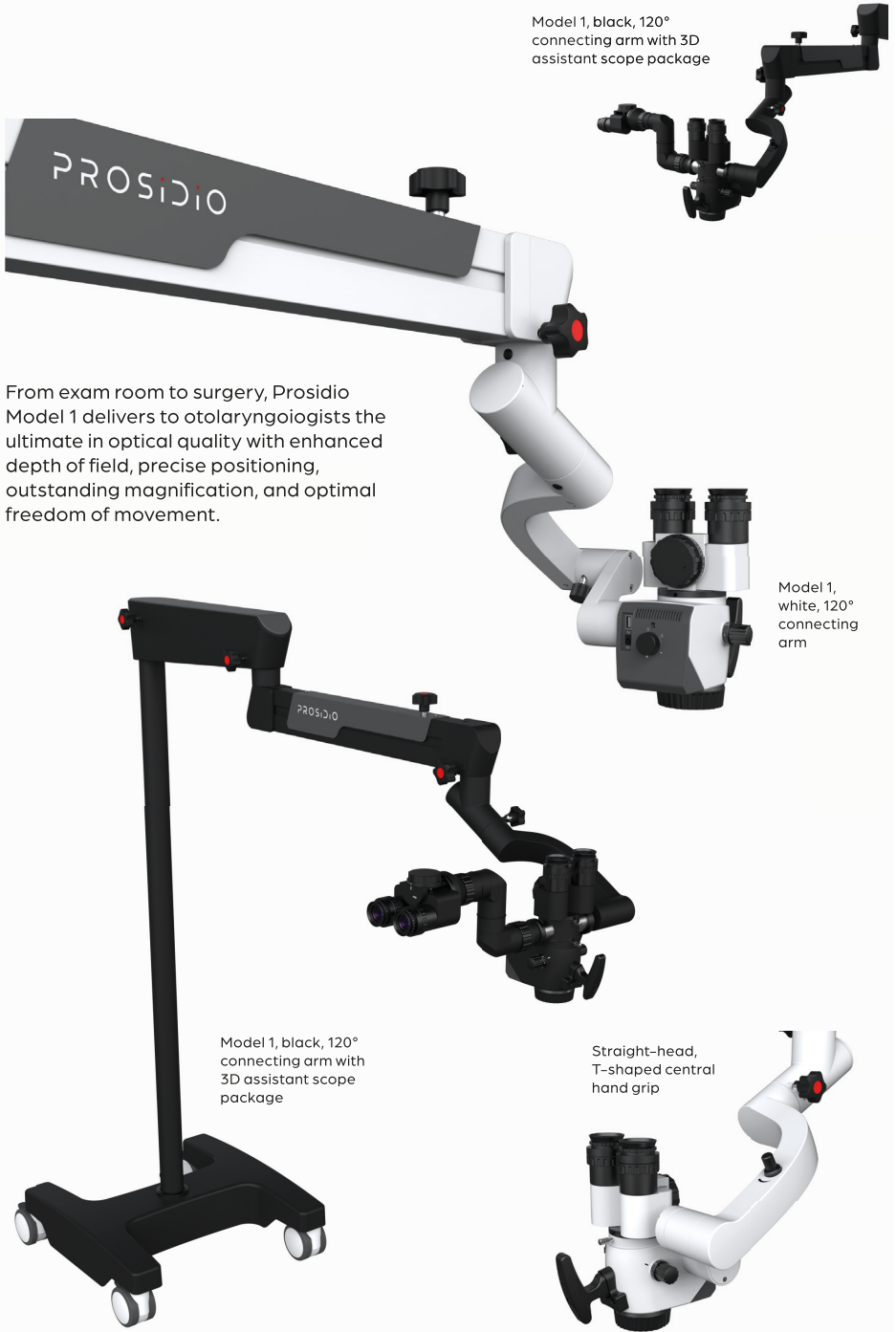
## Model 1 Microscope



### Features

- Manual 5-step magnification
- **ApoClear™ Optic Technology:** Premium quality apochromatic glass to prevent chromatic aberrations technology
- 1 year warranty
- **LuminEdge™ LED System:** constant LED object light illumination rated for 50,000 hours with green/yellow filters.
- Automatic light-shut off with microscope elevation





Model 1, black, 120° connecting arm with 3D assistant scope package

From exam room to surgery, Prosidio Model 1 delivers to otolaryngologists the ultimate in optical quality with enhanced depth of field, precise positioning, outstanding magnification, and optimal freedom of movement.

Model 1, white, 120° connecting arm

Model 1, black, 120° connecting arm with 3D assistant scope package

Straight-head, T-shaped central hand grip



## Options

Option	Choices	Model 1	
<b>Color</b>	White	●	
	Black	○	
<b>Mount</b>	Floor	●	
	Ceiling	○	
	High wall mount	○	
	Low wall mount	○	
<b>Second arm</b>	650mm	●	
	950mm (extended)	○	
<b>Connecting arm</b>	Standard vertical mount (ENT C-shaped)	●	
	120° connecting arm	○	
	120° connecting arm – extended version (for binocular extenders)	○	
<b>Binocular head</b>	Straight head	●	
	45° Inclined head	○	
	0°–180° Inclined head	○	
	0°–180° Inclined head with IPD	○	
<b>Handles</b>	Adjustable Side Handles	●	
	Fixed Handles	○	
	T-shaped central hand grip	○	
<b>Eyepiece</b>	10x/21mm	●	
	12.5x/18mm	○	
<b>Lens</b>	F200mm	○	
	<b>Fixed</b>	F250mm	●
		F300mm	○
		F400mm	○
	<b>Variable</b>	F200–310mm	○
		F250–430mm	○

● = standard    ○ = option

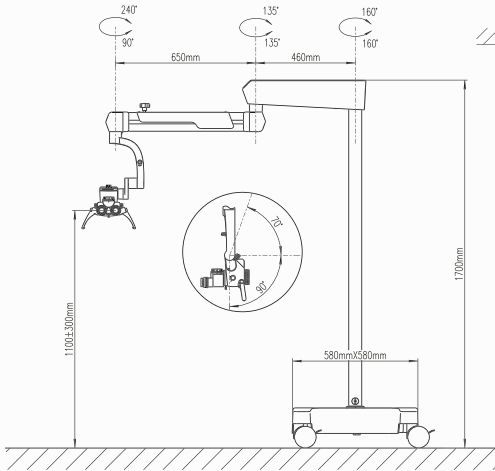
## Options SKUs

<i>Option</i>	<i>Choices</i>	<i>Model 1 White</i>	<i>Model 1 Black</i>
<b>Mount</b>	Floor	PMCSM1R	PMCSM1RBK
	Ceiling	PMCSM1C	PMCSM1CBK
	High wall mount	PMCSM1HWM	PMCSM1HWMBK
	Low wall mount	PMCSM1LWM	PMCSM1LWMBK
<b>Second arm</b>	650mm	PMC2NDARM650	
	950mm (extended)	PMC2NDARM950	
<b>Connecting arm</b>	Standard vertical mount (ENT C-shaped)	PMCENTARM	
	120° connecting arm	PM120CNTARM	
	120° connecting arm – extended version (for binocular extenders)	PM120CLVARM	
<b>Binocular head</b>	Straight head	PMPA1805-15000	
	45° Inclined head	PMPA1805-16000	
	0°-180° Inclunable head	PMPA1805-02000	
	0°-180° Inclunable head with IPD	PMPA1805-18000	
<b>Handles</b>	Adjustable Side Handles	PMCADJHNDL	
	Fixed Handles	PMCFXDHNDL	
	T-shaped central hand grip	PMCTHNDL	
<b>Eyepiece</b>	10x/21mm	PMPA10X21E	
	12.5x/18mm	PMPA12X18E	
<b>Lens</b>	<b>Fixed</b>	F200mm	PMPA1805-10000(8)
		F250mm	PMPA1805-10000
		F300mm	PMPA1805-13000(2)
		F400mm	PMPA1805-17000(1)
	<b>Variable</b>	F200-310mm	PMPA1805-09000
		F250-430mm	PMPA1805-13000

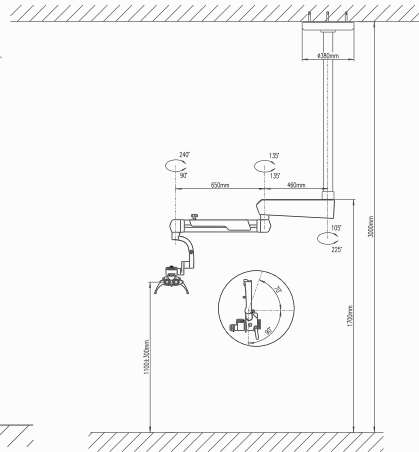
## Technical Specifications

### Model 1 - Standard Vertical Arm

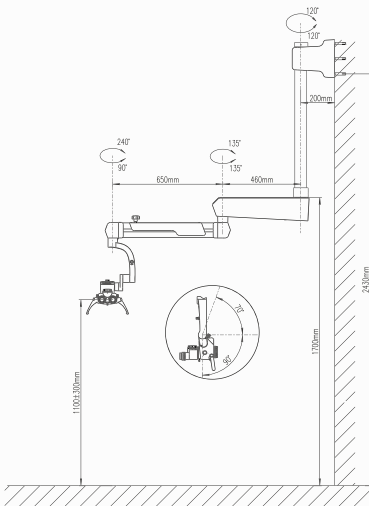
#### Floor Stand



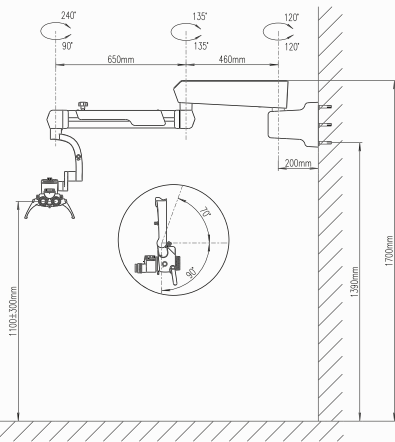
#### Ceiling Mount



#### High Position Wall Mount

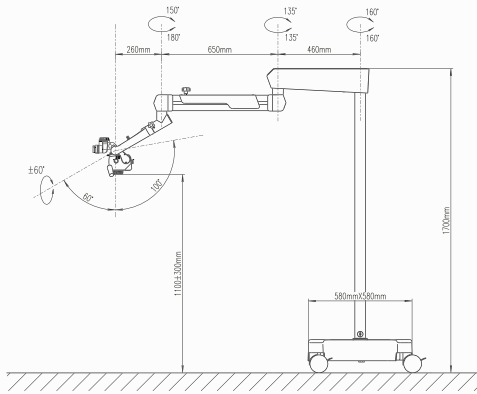


#### Low Position Wall Mount

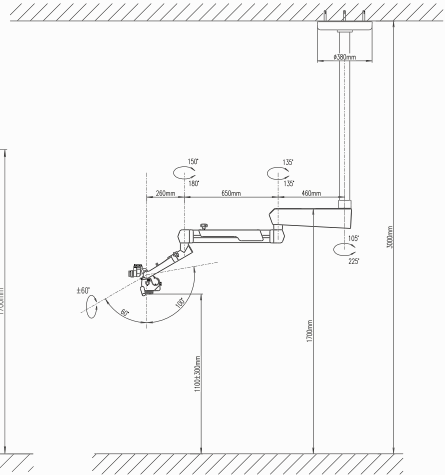


# Model 1 - 120° Connecting Arm

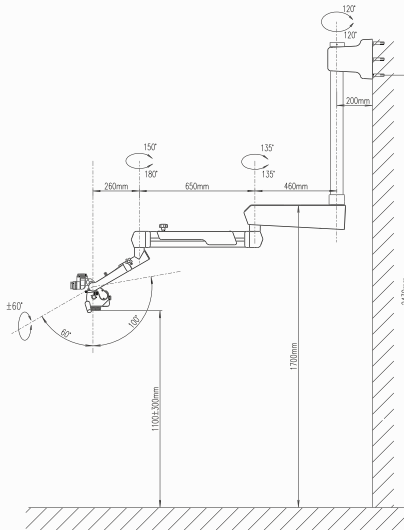
## Floor Stand



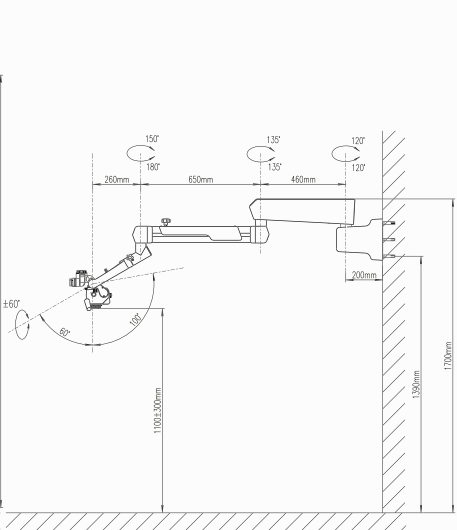
## Ceiling Mount



## High Position Wall Mount



## Low Position Wall Mount



## Model 2 Microscope



### Features

- **Integrated 4K SONY CMOS camera system**
- Manual 6-step magnification
- **ApoClear™ Optic Technology:** Premium quality apochromatic glass to prevent chromatic aberrations technology
- Integrated depth of field strengthen device
- **LuminEdge™ LED System:** constant LED object light illumination rated for 50,000 hours with green/yellow filters.
- Automatic light-shut off with microscope elevation
- LED, green/yellow filters
- Optional fluorescence
- 32GB internal storage, option to save to external USB
- Built-in OS for video playback and editing
- Dual HDMI output
- 1 year warranty



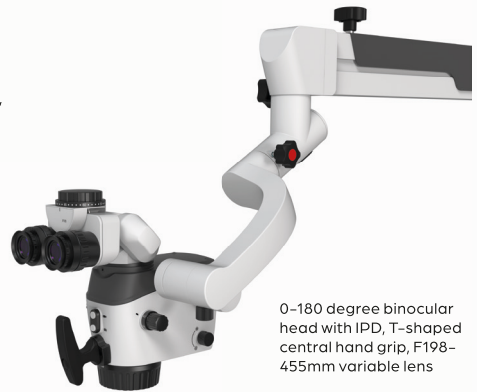
Model 2, black, 120° connecting arm



Straight binocular head, T-shaped central hand grip, F198-455 variable lens



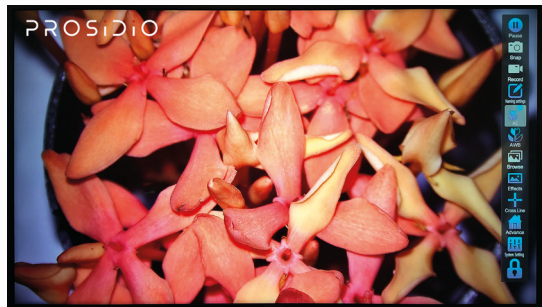
Standard vertical mount, 0-180 degree binocular head with IPD, fixed hand grip, F198-455mm variable lens



0-180 degree binocular head with IPD, T-shaped central hand grip, F198-455mm variable lens

## Built-in OS for video and picture management

Prosidio Model 2 raises the bar in advanced surgical visualization the operative field while the integrated 4K camera system provides physicians with the tools to better illustrate and easily communicate the diagnosis and treatment to patients.



## Options

Option	Choices	Model 2
<b>Color</b>	White	●
	Black	○
<b>Fluorescence</b>	without	●
	with	○
<b>Mount</b>	Floor	●
	Ceiling	○
	High wall mount	○
	Low wall mount	○
<b>Second arm</b>	650mm	●
	950mm (extended)	○
<b>Connecting arm</b>	Standard vertical mount (ENT C-shaped)	●
	120° connecting arm	○
	120° connecting arm - extended version (for binocular extenders)	○
<b>Binocular head</b>	Straight head	●
	45° Inclined head	○
	0°-180° Inclinable head	○
	0°-180° Inclinable head with IPD	○
<b>Handles</b>	Adjustable Side Handles	●
	Fixed Handles	○
	T-shaped central hand grip	○
<b>Eyepiece</b>	10x/21mm	●
	12.5x/18mm	○
<b>Lens</b>	F250mm	●
	<b>Fixed</b> F300mm	○
	F400mm	○
	<b>Variable</b> F198-455mm	○
● = standard		○ = option

### Options with SKU

<i>Option</i>	<i>Choices</i>	<i>Model 2</i>
<b>Mount</b>	Floor	PMCSM2R
	Ceiling	PMCSM2C
	High wall mount	PMCSM2HWM
	Low wall mount	PMCSM2LWM
<b>Second arm</b>	650mm	PMC2NDARM650
	950mm (extended)	PMC2NDARM950
<b>Connecting arm</b>	Standard vertical mount (ENT C-shaped)	PMCENTARM
	120° connecting arm	PM120CNTARM
	120° connecting arm – extended version (for binocular extenders)	PM120CLVARM
<b>Binocular head</b>	Straight head	PMPA1805-15000
	45° Inclined head	PMPA1805-16000
	0°-180° Inclined head	PMPA1805-02000
	0°-180° Inclined head with IPD	PMPA1805-18000
<b>Handles</b>	Adjustable Side Handles	PMCADJHNDL
	Fixed Handles	PMCFXDHNDL
	T-shaped central hand grip	PMCTHNDL
<b>Eyepiece</b>	10x/21mm	PMPA10X21E
	12.5x/18mm	PMPA12X18E
<b>Lens</b>	<b>Fixed</b> F250mm	PMPA1910-09000
	F300mm	PMPA1805-13000(3)
	F400mm	PMPA1805-17000
	<b>Variable</b> F198-4551mm	PMPA1910-08000

### SKUs for fluoroscopy and alternative exterior finishes

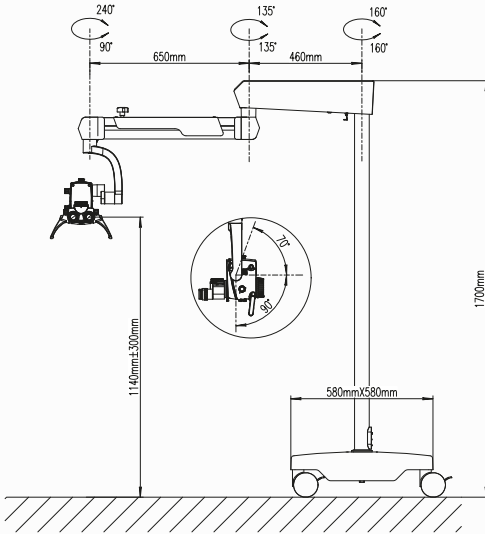
<i>Option</i>	<i>Choices</i>	<i>Model 2 w/ fluoro</i>	<i>Model 2 Black Version</i>	<i>Model 2 w/ fluoro Black Version</i>
<b>Mount</b>	Floor	PMCSM2RF	PMCSM2RBK	PMCSM2RFBK
	Ceiling	PMCSM2CF	PMCSM2CBK	PMCSM2CFBK
	High wall mount	PMCSM2HWMF	PMCSM2HWMBK	PMCSM2HWMFBK
	Low wall mount	PMCSM2LWMF	PMCSM2LWMBK	PMCSM2LWMFBK



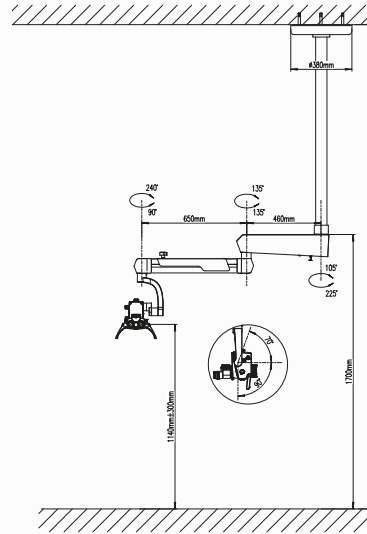
# Technical Specifications

## Model 2 - Standard Vertical Arm

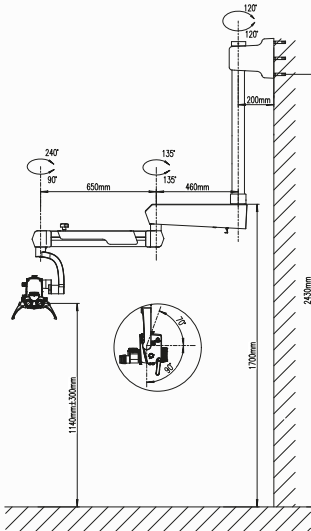
### Floor Stand



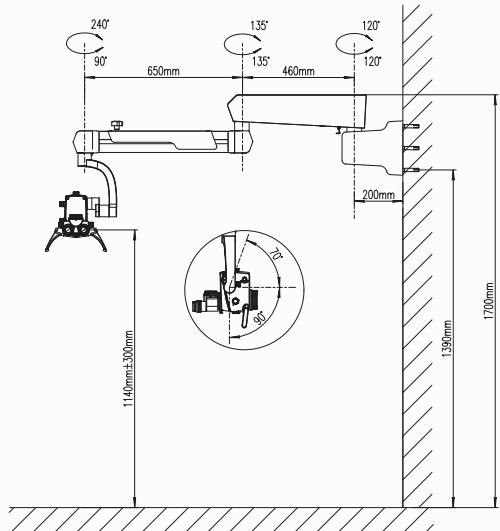
### Ceiling Mount



### High Position Wall Mount

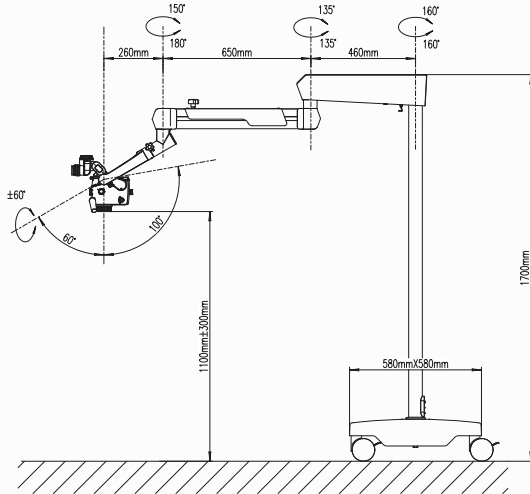


### Low Position Wall Mount

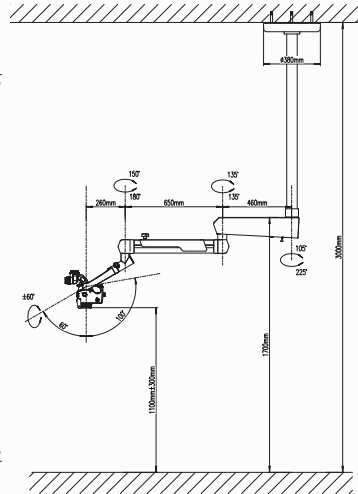


### Model 2 - 120° Connecting Arm

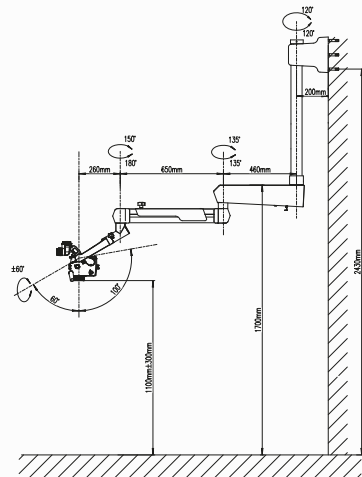
#### Floor Stand



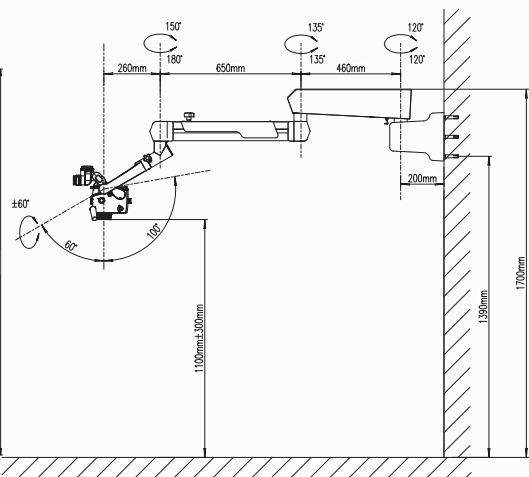
#### Ceiling Mount







#### High Position Wall Mount





#### Low Position Wall Mount



# Packages for Model 1 & Model 2 Microscopes

<b>Package</b>	<b>Items Included</b>	<b>SKU</b>	
Face-to-face assistant scope package		Stereo-bridge for face-to-face operating (plastic surgery)	<b>PMCSTRBRDGHEAD</b>
		0-180° inclinable binocular with IPD adjustment	<b>PMPA1805-18000</b>
3D Rotation binocular assistant scope package		Binocular extender(30°) with beam splitter (80%:20% or 50%:50%) with angle rotation device	<b>PMPA1903-10000</b>
		3-D Rotation Binocular Assistant Scope Connector	<b>PMPA1904-00000 *</b>
		0-180° inclinable binocular with IPD adjustment	<b>PMPA1805-18000</b>
2D Rotation binocular assistant scope package		Beam splitter (80%:20% for camera adapter or 50%:50% for assistant scope)	<b>PMPA1802-00000</b>
		2-D Rotation Binocular Assistant Scope Connector	<b>PMPA2001-0000 **</b>
		0-180° inclinable binocular with IPD adjustment	<b>PMPA1805-18000</b>
Mobile phone adapter package		Binocular extender(30°) with beam splitter (80%:20% or 50%:50%) with angle rotation device	<b>PMPA1903-10000</b>
		Mobile Phone adapter, compatible with various mobile phones	<b>PMPA2004-00000</b>

Package	Items Included	SKU
<p>DSLR camera adapter package</p> 	<p>Binocular extender(30°) with beam splitter (80%:20% or 50%:50%) with angle rotation device</p>	<p><b>PMPA1903-10000</b></p>
	<p>Digital camera adapter f180 for DSLR camera(Canon-EF/ Nikon-F/Sony-E bayonet) with APS-C frame</p>	<p><b>PMPC1901-0000</b></p>
	<p><b>OR</b> Digital camera adapter f340 for DSLR camera(Canon-EF/ Nikon-F/Sony-E bayonet) with full frame</p>	<p><b>PMPC1907-0000</b></p>
<p>Flexible Optics Rotating Assembly (FORA)</p> 	<p>includes a 90° binocular extender, pendulum rotation device, and beam splitter</p> <p>This option allows an additional axis of rotation in a pendulum-type motion to angle the optic lens without changing the position of the eyepiece or microscope arm.</p>	<p><b>PMPA2205-00000</b></p>

\* Balance arm is recommended if purchased with 120° connecting arm.

\*\* Balance arm is recommended if purchased with 120° connecting arm.

### Flexible Optics Rotating Assembly (FORA)

Introducing the FORA (Flexible Optics Rotating Assembly). This option allows an additional axis of rotation in a pendulum-type motion to angle the optic lens without changing the position of the eyepiece or microscope arm.



# Accessories for Model 1 & Model 2 Microscopes

Category	SKU	Option	Notes
Laser	<b>PMPA2101-0000</b>	Laser filter for the laser wavelengths from 780-10600nm	
	<b>PMAM6000-35000</b>	Angle rotation device	
	<b>PMPA1802-00000</b>	Beam splitter compatible (80%:20% for camera adapter or 50%:50% for assistant scope)	
	<b>PMPA1903-0000</b>	Binocular extender (30°) with angle rotation device	
Optical accessories	<b>PMPA1903-10000</b>	Binocular extender (30°) with beam splitter (80%:20% or 50%:50%) with angle rotation device	
	<b>PMPA2002-0000</b>	Binocular extender (45°)	
	<b>PMPA1803-00000</b>	Binocular extender (90°) with angle rotation device	
	<b>PMDOFDID</b>	Depth of Field Strengthen Device (Dual Iris Diaphragm) for Model 1 microscope with 4K camera system adapter	
	<b>PMBALARM120</b>	Balance arm 120° connecting arm	*
	<b>P4KCAMM1</b>	4K Camera System Adapter for Model 1 Microscopes	**
	<b>PM1FP</b>	Model 1 & 2 Foot pedal for 4K camera system	
Image Capture and Playback Accessories	<b>PMLG24</b>	LG 24 inch monitor	
	<b>PMAM6000-26300</b>	Monitor bracket, including clamp and spring arm, compatible with Model 1 & 2	
	<b>PMAM6000-N0012</b>	Wireless Transfer Kit for transferring 1080i full HD live video to monitor	

\* The balance arm is an addition for microscopes with 120° connecting arm and the 2D/3D assistant scope package or the 4K camera system adapter to help offset center of gravity changes

\*\* Balance arm is recommended if purchased with 120° connecting arm.



# Temporal Bone Microscopes



# Model 1 Temporal Bone Microscope

*Foundational Excellence*



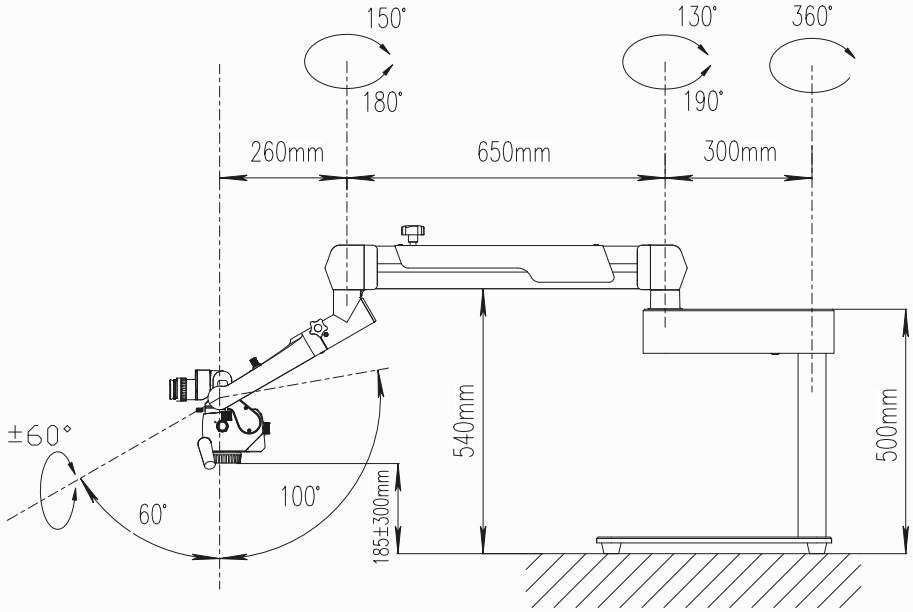
## Features

- Manual 5-step magnification
- **ApoClear™ Optic Technology:** Premium quality apochromatic glass to prevent chromatic aberrations technology
- 1 year warranty
- 120 degree connection arm
- **LuminEdge™ LED System:** constant LED object light illumination rated for 50,000 hours with green/yellow filters.

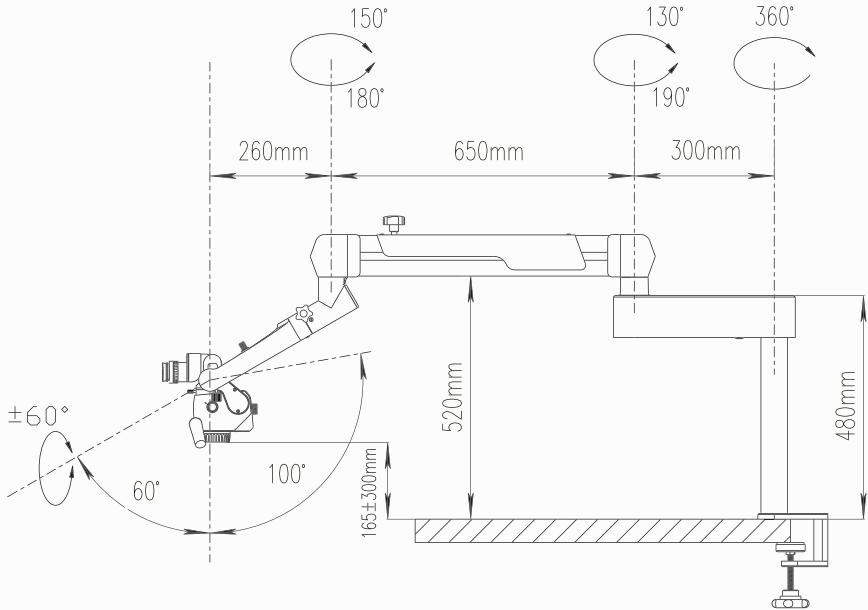


# Technical Specifications

## Table Mount



## Table Clamp Mount





# Model 2 Temporal Bone Microscope

*Designed for Teaching, Built for Learning*

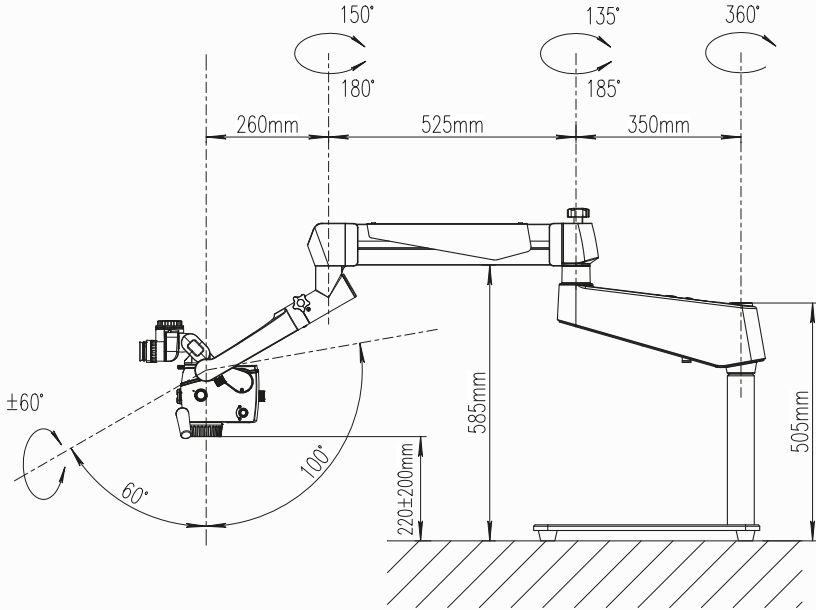


## Features

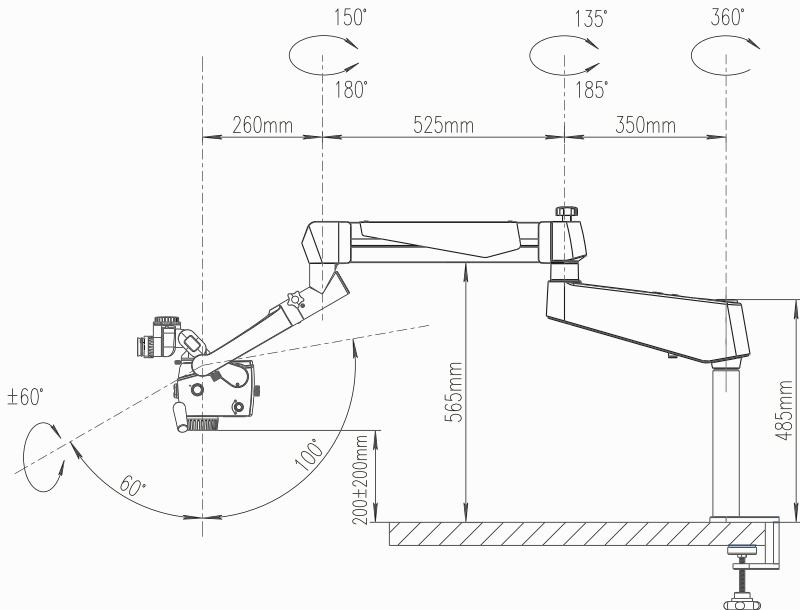
- **Integrated 4K SONY CMOS camera system**
- Manual 6-step magnification
- **ApoClear™ Optic Technology:** Premium quality apochromatic glass to prevent chromatic aberrations technology
- 120 degree connection arm
- Integrated depth of field strengthen device
- **LuminEdge™ LED System:** constant LED object light illumination rated for 50,000 hours with green/yellow filters.
- Automatic light-shut off with microscope elevation
- LED, green/yellow filters
- Optional fluorescence
- 32GB internal storage, option to save to external USB
- Built-in OS for video playback and editing
- Dual HDMI output
- 1 year warranty

# Technical Specifications

## Table Mount



## Table Clamp Mount



# Model 1 & 2 Temporal Bone Microscope Options

<i>Option</i>	<i>Choices</i>	<i>Model 1</i>	<i>Model 2</i>	
<b>Installation type</b>	Table plate	●	●	
	Table clamp	○	○	
<b>Fluorescence</b>	without	●	●	
	with	--	○	
<b>Binocular head</b>	Straight head	○	○	
	45° Inclined head	○	○	
	0°-180° Inclinal head	○	○	
	0°-180° Inclinal head with IPD	●	●	
<b>Eyepiece</b>	10x/21mm	○	○	
	12.5x/18mm	●	●	
<b>Lens</b>	F200mm	○		
	<b>Fixed</b>	F250mm	●	●
		F300mm	○	
		F400mm	○	--
	<b>Variable</b>	F198-455mm	--	○
		F200-310mm	○	--
F250-430mm		○	--	

● = standard    ○ = option

Option	Choices	Model 1	Model 2	Model 2 with Fluoro
<b>Installation type</b>	Table plate	M1F250TLAB-T	M2F250TLAB-T†	M2F250TLAB-TF
	Table clamp	M1F250TLAB-C	M2F250TLAB-C†	M2F250TLAB-CF
<b>Binocular head</b>	Straight head		PMPA1805-15000	
	45° Inclined head		PMPA1805-16000	
	0°-180° Inclunable head		PMPA1805-02000	
	0°-180° Inclunable head with IPD		PMPA1805-18000	
<b>Eyepiece</b>	10x/21mm		PMPA10X21E	
	12.5x/18mm		PMPA12X18E	
<b>Fixed</b>	F200mm	PMPA1805-10000(8)		--
	F250mm	PMPA1805-10000	PMPA1910-09000	
	F300mm	PMPA1805-13000(2)	PMPA1805-13000(3)	
	F400mm	PMPA1805-17000		--
<b>Lens</b>	<b>Variable</b>	F198-455mm	--	PMPA1910-08000
		F200-310mm	PMPA1805-09000	--
	F250-430mm	PMPA1805-13000	--	

†Regular HD (not 4K) built-in camera available (SKU: Table plate: M2F250TLAB-THD | Table clamp: M2F250TLAB-CHD)

# PROSIDIO

Prosidio, Inc  
168b Irving Ave  
Port Chester, NY 10573

[sales@Prosidio.com](mailto:sales@Prosidio.com)  
[service@Prosidio.com](mailto:service@Prosidio.com)

[Prosidio.com](http://Prosidio.com)